

Produkt	TempDatEC Transmitter			novasina The Art of Precision Measurement
Dokument	Technical Specification			Novasina AG CH-8853 Lachen
Dokument Nr.	006429	Index	01	Seite Seite 1 von 2

TempDat EC: Temperature - Transmitter for Analog & ModbusRTU



Single channel temperature transmitter for installation in electrical cabinets on mounting rails. For one PT100 / PT1000 (2, 3 or 4 wire) sensor. Analog and Modbus / RS485 Output.

Configuration and calibration with cable and software for Windows PC. Configuration possible without external power supply.

Technical Data

Name	TempDat EC (2601806)
Power supply	24V DC Permissible voltage range: 5 to 39V
Power consumption	<0.5W
Display	none
Input	1* PT100 / PT1000 (-150...+300°C) or Ni1000 (-60 ... +150°C) 2, 3 or 4 wire Precision depend on the connected sensors. Accuracy electronic: <0.05°C
Analogue output (1 output)	1 scalable analogue output current 0/4..20mA or voltage 0/2..10V Load (I): min. 0 Ω / max. 500 Ω or (Uin-2V)/Imax Load resistance (U): min. 10 kΩ / max. ∞ Ω
Digital output RS485	Modbus RTU (see modbus instruction)
Housing material	PA6.6 (UL94V0), mounting rail holder
Protection class	none, installation in protected cabinet required
Soldering material	lead free (RoHS compliant)
Working temp.	0 to 50°C
Storage temperature	-10 to 60°C (non-condensing)
CE-/EMC	Safety: IEC 61010-1:2010 EMC: IEC 61000-6-2:2016, EN 61000-6-2:2005 IEC 61000-6-3:2006+A1:2010, EN 61000-6-3:2007+A1:2011

Electrical Installation

	Wire specification
Clamping range	0.13 - 1.5mm ² (Push-in Spring clip)
Wires:	w. plastic collar ferrule DIN 46228/4: 0,25 - 0.75 mm ² w. wire end ferrule DIN 46228/1: 0,25 - 1.50 mm ² Solid, min. H05(07) V-U 0.2 - 1.50 mm ² Wire connection cross section AWG28 - 14

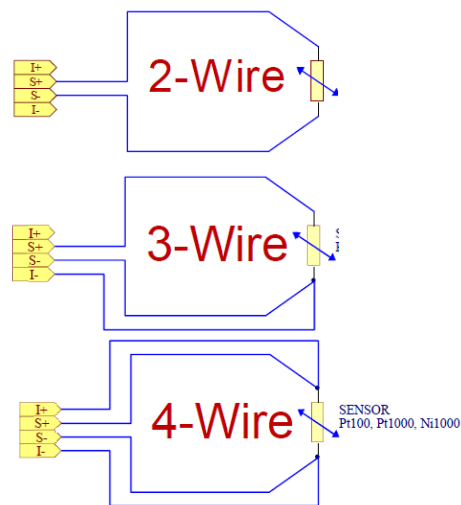
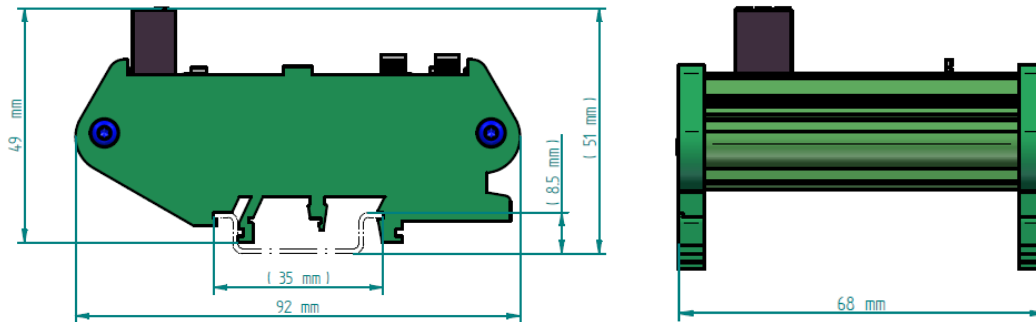
Cable specifications depend on the installation and have to be defined by the designer or installer. Heavy machinery and other instrumentation should not share the same power supply wiring. Use noise filters and surge protectors if required.

For EMC protection it is recommended to take the following measures:




- Wires emitting interference must be separated from measurement and analysis units
- Parallel guidance of measurement cables and electrical power cables must be avoided, use different channels with separation (see European Standard EN50170 for detailed information)

Produkt	TempDatEC Transmitter			novasina The Art of Precision Measurement
Dokument	Technical Specification			Novasina AG CH-8853 Lachen
Dokument Nr.	006429	Index	01	Seite Seite 2 von 2

Dimension & Schematics



Sensor cables and Configuration set

PT100 sensor 2L -50 to +200°C	PT100 sensor 4L -190 bis +260°C	Configurations-Set: nCom-485 USB
Universal cable sensor PT100 2 wire. With 3 meters Silicon cable.	Extended temperature range, with Teflon cable, PT100, 4 wire.	Configuration cable for TempDat to Windows PC. Software available for download (nSoft-ACT-M).
		
260 0634: PT100 sensor - 50...200°C (V4A 6*50mm, 2 wire)	2601864: 2 meter cable 2601865: 4 meter cable (V4A 6*40mm, 4 wire)	260 1125 nlink-RS485-CA4 (complete set)

Technical data subject to change without prior notice